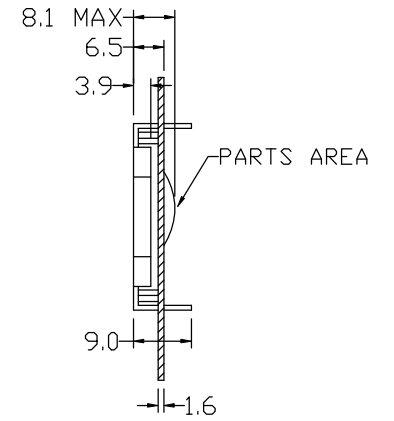
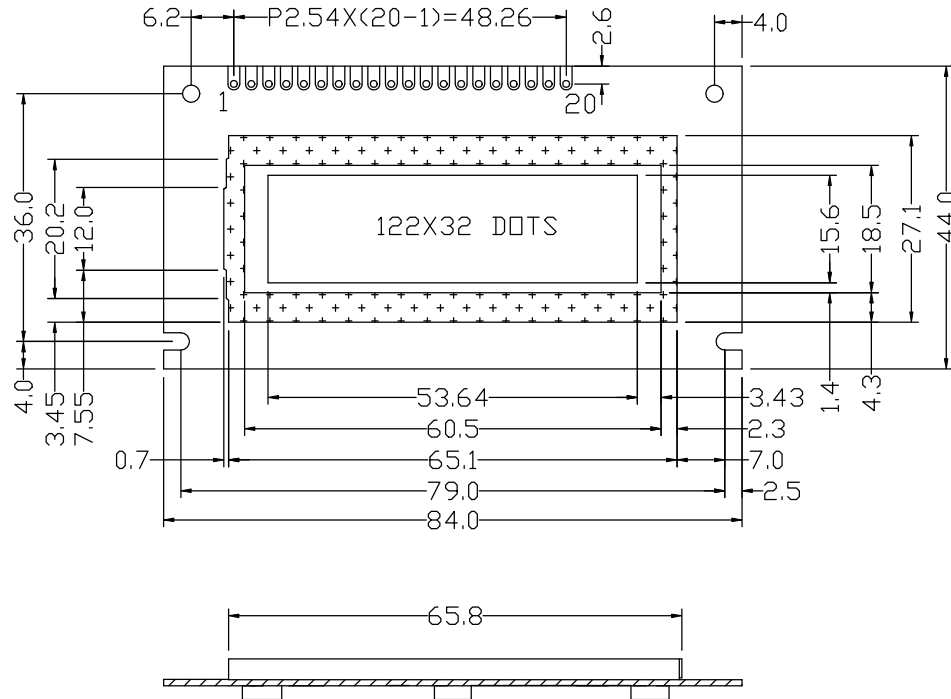
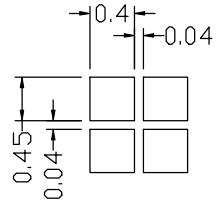


MGL(S)-12232A

122X32 DOTS



1	2	3	4	5	6	7	8	9	10	11	12	13	14	15	16	17	18	19	20
V _{SS}	V _{DD}	V _{EE}	A0	$\overline{CS1}$	$\overline{CS2}$	CL	E	R/W	DB0	DB1	DB2	DB3	DB4	DB5	DB6	DB7	\overline{RST}	A	K

