

ER0350A1NM6 / 3.5" CSTN LCM

PIN ASSIGNMENT

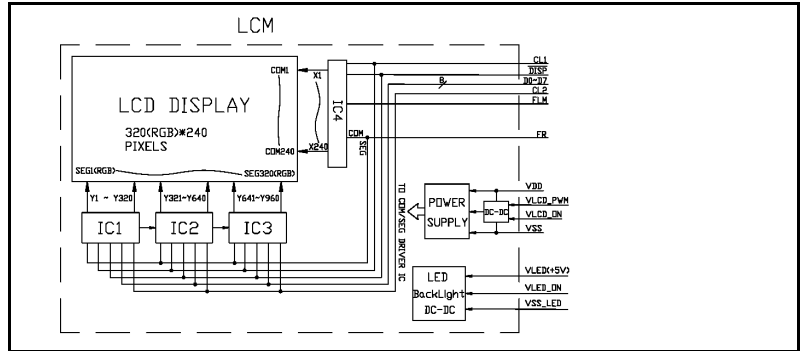


GENERAL INFORMATION

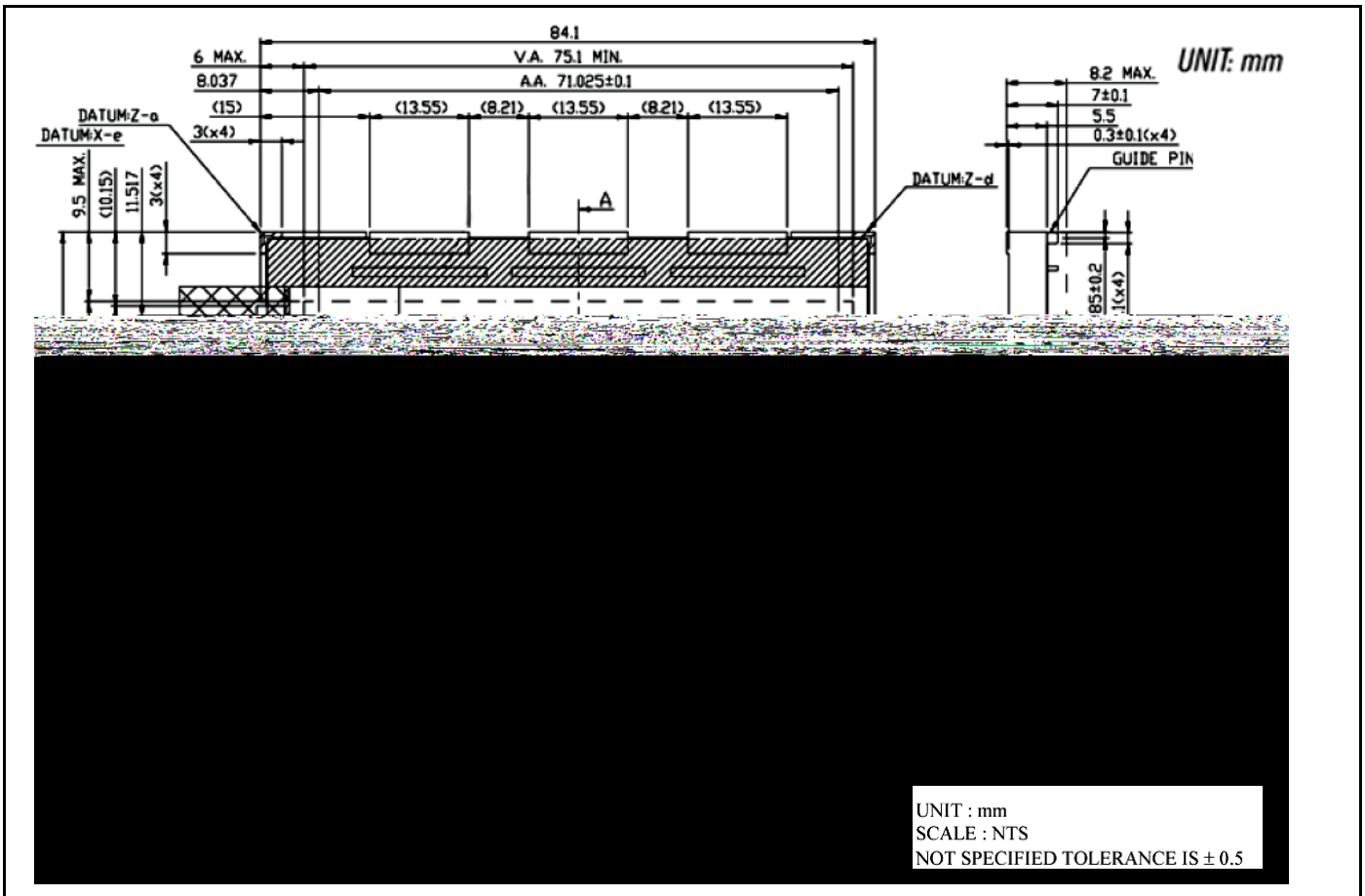
LCD Type	3.5" Color STN Display
Resolution	320 (RGB) * 240 Dots
Display Color	65K color
Module dimesions	84.1 (W) * 69.8 (H) * 8.2 (T) mm
Viewing Area	75.1 (W) * 57.3 (H)
Active Area	71.025 (W) * 53.265 (H)
Pixel Pitch	0.222 (W) * 0.222 (H)
Viewing Angle	Y: +60 -30, X: +35 -35 deg.
Polarizer Type	Transmissive
Backlight	LED
Luminance	140 cd/m Typ
Contrast Ratio	1/40
Driver IC	LC41383 , LC 41382
Interface	BY CONTROLLER

PIN NO	SYMBOL	I/O	FUNCTION
1	LED_ON	I	LED BACKLIGHT DRIVING ENABLE PIN H : ENABLE , L : DISABLE
2	VSS_LED	P	POWER FOR LED BACKLIGHT (0V)
3	VLED	P	POWER FOR LED BACKLIGHT (+5V)
4	VLCD_PWM	I	ADJUST VLCD DC-DC VOUT VOLTAGE
5	VLCD_ON	I	VLCD DC-DC DRIVING ENABLE PIN H : ENABLE , L : DISABLE
6	FLM	I	SYNCHRONOUS SIGNAL FOR DRIVING SCANNING LINE
7	VDD	P	POWER SUPPLY FOR LOGIC(+3.3V)
8 - 15	D0 - D7	I/O	DISPLAY DATA
16	CL2	I	DATA SIGNAL SHIFT CLOCK(CP)
17	DISP	I	DISPLAY CONTROL SIGNAL , H:DISPLAY ON L:DISPLAY OFF
18	CL1	I	DATA SIGNAL LATCH CLOCK(LOAD)
19	FR	I	SWITCH SIGNAL TO CONVERT LCD DRIVER WAVEFORM INTO AC
20	VSS	P	POWER SUPPLY (0V , GND)

BLOCK DIAGRAM



DIMENSIONS



UNIT : mm
SCALE : NTS
NOT SPECIFIED TOLERANCE IS ± 0.5